

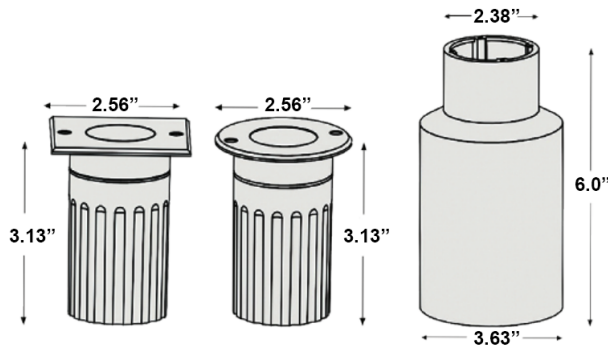
PROJECT NAME:	DATE:	TYPE:
SPECIFIER:	PREPARED BY:	
PART NO.:		



LED WELL LIGHT SERIES

TBD.WL-RGB

3W IN-GRADE RGB LED WELL LIGHT



Architectural grade, low profile, RGB LED accent light. With virtually no heat, a perfect source of light for in-grade, in-wall, columns and up-light applications requiring dramatic effects. Low maintenance at 50,000 hours rated life cycle. Suitable for wet location installations. Round and square face plate options available.

FEATURES

- 3W LED
- 24 Volts DC
- RGB Color-Changing Fixture
- 135 Lumens
- Dimmable Through RGB Controller
- Control DMX
- 24V DC Power Supply Required
- Control and Power Supply Options Available
- Suitable for In-Grade applications
- Suitable for Interior or Exterior Applications
- Square or Round Face Plate Options
- Concrete Pour Housing Included
- Rating: Wet Location IP67
- Connection 20" 18AWG Lead wire
- Housing: 3.62"D x 6"H
- Face Plates: Round 2.56"D x 3.12"H
Square 2.56"D x 3.12"H
- Long Life: 50,000 Hours
- Heavy Duty Stainless Steel Finish –
- Able to withstand Max Load of 2000 lbs



ORDERING GUIDE

TBD.WL	—	—	—	—
FACE PLATE	COLOR TEMP	FINISH	VOLTAGE	
R - Round S - Square	RGB - RGB	SS - Stainless Steel	24 - 24V DC	