

PROJECT NAME:	DATE:	TYPE:
SPECIFIER:	PREPARED BY:	
PART NO.:		



LED MONOPOINT SERIES

TBD.MDH-20

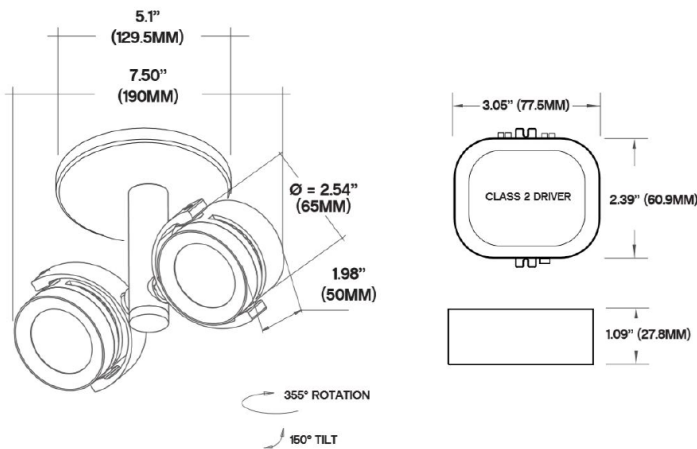
20W LED DOUBLE MONOPOINT



Sleek and compact, this 20W / 1200 Lumen Dual LED monopoint is adjustable with 355° rotation, 150° tilt; and, eco-friendly with no heat, UV, or IR radiation, so will not degrade fabrics or artwork. It is an excellent choice where extra adjustability is needed. Suitable for residential, commercial, or retail applications.

FEATURES

- 120-277 VAC Input Voltage
- 20W
- 1200 Lumens
- 90+ CRI
- Dry and Damp Location
- Adjustable Beam Angle
- 355° Rotation, 150° Tilt
- 19° Spot, 30° Flood, 45° Wide Flood Optic Options
- Certifications: UL Listed
- Long Life: 50,000 Hours
- Eco-friendly, No UV or IR, Will Not Degrade Artwork
- Dimmable
- Class 2 TRIAC/0-10V Driver Included
- Requires Minimum 1.5" Deep Junction Box
- Canopy Monopoint Mount
- Die-cast Aluminum



ORDERING GUIDE

TBD.MDH

WATTAGE	COLOR TEMP	FINISH	OPTIC 1	OPTIC 2	ADAPTER
20 - 20W	27K - 2700K 30K - 3000K 40K - 4000K	WH - White BK - Black SI - Silver	SP - 19° Spot FL - 30° Flood WF - 45° Wide	SP - 19° Spot FL - 30° Flood WF - 45° Wide	MP - Monopoint