

PROJECT NAME:	DATE:	TYPE:
SPECIFIER:	PREPARED BY:	
PART NO.:		



# OUTDOOR LIGHTING SERIES

## TBD-M3.120

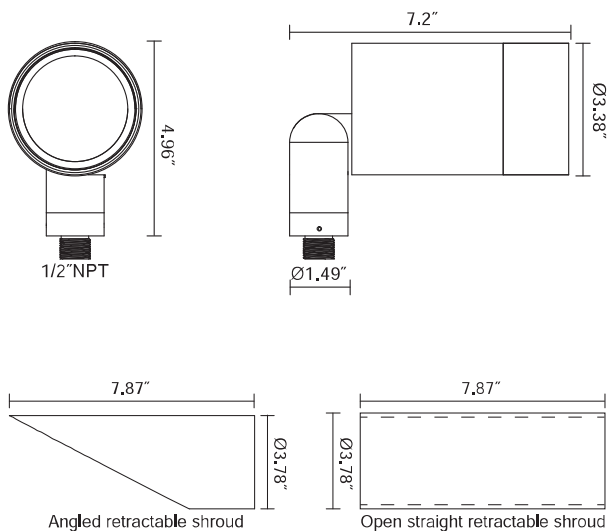
### OUTDOOR LED ACCENT LIGHT



Versatile outdoor fixture has multiple beam, shroud, and mounting options. With a 360° rotation, and a tilt of up to 180°, it can be focused exactly. Made of die-cast aluminum it is extremely durable, and with optimized heat dissipation, allows for illumination for extended lengths of time. Suitable for landscape, facade accent, and security lighting.

### FEATURES

- 120V AC (No Transformer Required)
- Integrated Triac Dimming
- 10W, 12W, or 15W
- 650 Lm (10W) / 780 Lm (12W) / 975 Lm (15W)
- CRI 80 or 90
- IP65 Outdoor Wet Rated
- Multiple Beam Options
- Die-Cast Aluminum
- Black, White, Gray, Bronze and Silver
- Shroud Options
- Honeycomb Louver Option
- Mounting Brackets, Tree Strap or Ground Stake
- ETL Listed
- Long Life 50,000 Hours



## ORDERING GUIDE

**TBD.M3.120**

WATTAGE	COLOR TEMP	BEAM ANGLE	CRI	SHROUD	FINISH
<b>10W</b>	<b>30K</b> - 3000K	<b>15</b> - 15°	<b>80</b>	<b>NS</b> - No Shroud	<b>BK</b> - Black
<b>12W</b>	<b>40K</b> - 4000K	<b>25</b> - 25°	<b>90</b>	<b>AS</b> - Angled Shroud	<b>WH</b> - White
<b>15W</b>	<b>50K</b> - 5000K	<b>40</b> - 40°		<b>OS</b> - Open Straight Retractable	<b>GR</b> - Gray
		<b>AH</b> - H55° x V25°			<b>BZ</b> - Bronze
		<b>AV</b> - H20° x V55°			<b>SI</b> - Silver

## OUTDOOR LIGHTING SERIES

TBD-M3.120

OUTDOOR LED ACCENT LIGHT

### SHROUD - OPTIONS



**NS** - No Shroud



**AS** - Angled Shroud



**OS** - Open Straight  
Retractable Shroud

### MOUNTING - EACH SOLD SEPARATELY



**TBD.BKT**



**TBD.BKT-CYL**



**TBD.AC**

### ACCESSORIES - EACH SOLD SEPARATELY

Marine Ambient  
Corrosion  
Resistant  
Coating

**TBD.MARINE**



**TBD.STRAP**  
Tree Strap



**TBD.STAKE**  
Ground Stake



**TBD.LVR**  
Honeycomb Louver



**TBD.JTN**  
Junction Box