

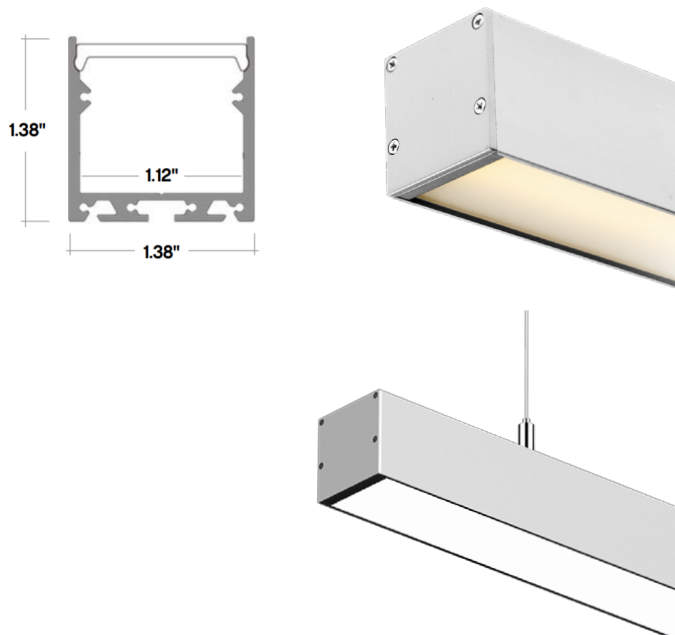
PROJECT NAME:	DATE:	TYPE:
SPECIFIER:	PREPARED BY:	
PART NO.:		



PROFILE CHANNEL SERIES

TBD.E35S

FLANGELESS / SUSPENDED PROFILE CHANNEL



A channel for surface, recessed mud-in, or suspended mounting. Suitable for wall or ceiling slots, as well as suspended pendant mounting. This durable Anodized Aluminum Profile Channel not only adds a great finished appearance to your space, but also protects LED chips from dust, and provides superior thermal management for higher wattage LED strips, prolonging the overall lifetime of the lighting system. Patented diffusers maximize lumen output and beam distribution.

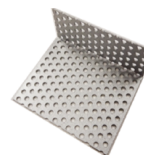
FEATURES

- Surface, Recessed, or Suspended Mounting Options.
- 160° Beam Spread
- Finish: Anodized Silver
- Lens: Frosted
- Custom cut lengths available
- 2 End Caps included
- Mud-In Mesh Bracket - Sold separately for Recessed Mount - (4) per 49" and (8) per 98". Top screws included. 1 9/16" L x 2" W with 3/4" Flap

ACCESSORIES



TBD.E35S-EC
End Caps
(2 Included)



TBD.PMS
Mud-in Mesh Bracket
Recessed Mount
(Sold Separately)

ORDERING GUIDE

TBD.E35S

LENGTH
49 - 49.25"
98 - 98.5"

LENS
F - Frosted

MOUNTING
SM - Surface Mount
RM - Recessed Mount
(Requires Mud-in Mesh Bracket)
CS - Cable Suspension
(Requires Suspension Kit Options Page 2)

PROJECT NAME:	DATE:	TYPE:
SPECIFIER:	PREPARED BY:	
PART NO.:		



PROFILE CHANNEL SERIES

TBD.E35S

FLANGELESS / SUSPENDED PROFILE CHANNEL

SUSPENSION KIT ACCESSORIES

TBD.CSPF-WH
White Power Feed Kit
(Sold Separately)

TBD.CSPF-BK
Black Power Feed Kit
(Sold Separately)



TBD.CSK
Suspension Kit
(Sold Separately)



TBD.CSCANOPY2-WH
2" White Non-Power Feed Kit
(Sold Separately)

TBD.CSCANOPY2-BK
2" Black Non-Power Feed Kit
(Sold Separately)



TBD.CSCANOPY5-WH
5" White Non-Power Feed Kit
(Sold Separately)

TBD.CSCANOPY5-BK
5" Black Non-Power Feed Kit
(Sold Separately)