

PROJECT NAME:	DATE:	TYPE:
SPECIFIER:	PREPARED BY:	
PART NO.:		



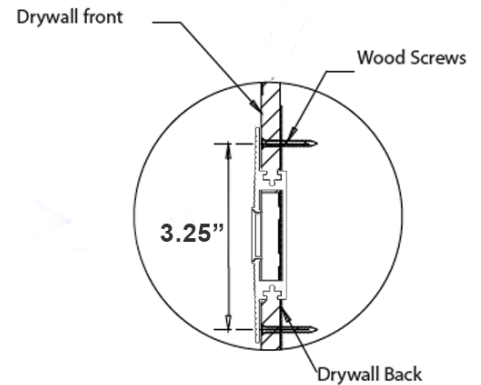
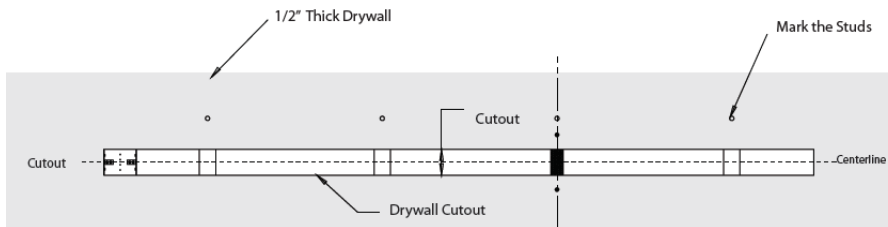
PROFILE CHANNEL SERIES

TBD.E16P

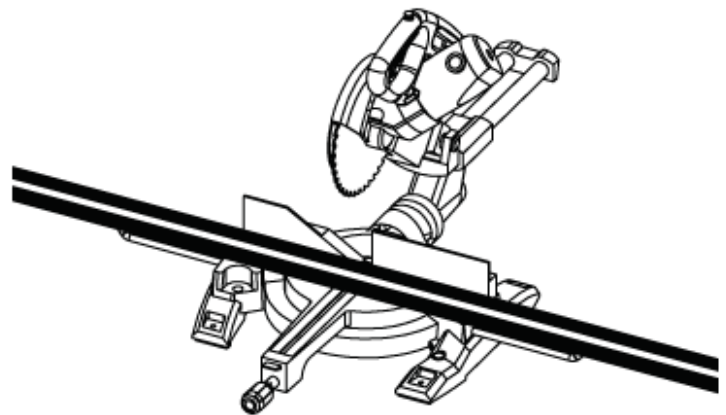
FLANGED PROFILE CHANNEL

INSTALLATION GUIDE

STEP 1: Measure cutout and mark drywall where channel will be mounted.



STEP 2: Cut the channel to the desired length.



STEP 3: Mount / install profile onto drywall. Add construction adhesive behind flange to secure to drywall. Drill and countersink channel flange with screws. Make sure all screw heads are flush with the channel surface. Fixture to be secured every 18" or less.

