

PROJECT NAME:	DATE:	TYPE:
SPECIFIER:	PREPARED BY:	
PART NO.:		



PROFILE CHANNEL SERIES

TBD.E16PW

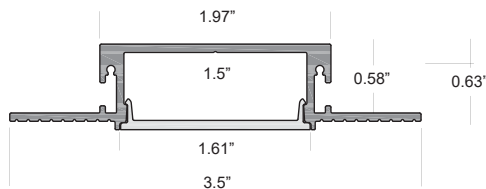
FLANGED PROFILE CHANNEL



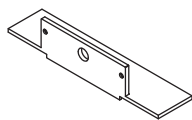
An extra wide plaster-in recessed channel. Fits flush into 5/8" drywall for ease of installation. Designed to fit LED strips up to 1.5". Suitable for walls or ceilings. This durable Anodized Aluminum Profile Channel not only adds a great finished appearance to your space, but also protects LED chips from dust, and provides superior thermal management for higher wattage LED strips, prolonging the overall lifetime of the lighting system. Patented diffusers maximize lumen output and beam distribution.

FEATURES

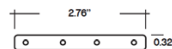
- Recessed Mount
- Lengths: 48" & 96"
- Finish: White (custom finishes available - additional fees apply)
- Lens: Frosted
- Field cuttable



ACCESSORIES



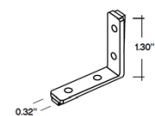
TBD.E16PW-EC
End Caps
(Sold Separately)



TBD.E16PW-SC
Straight Connector
(Sold Separately)



TBD.E16PW-IC
Internal Connector
(Sold Separately)



TBD.E16PW-RAC
Right Angle Connector
(Sold Separately)

ORDERING GUIDE

TBD.E16PW

LENGTH
48 - 48"
96 - 96"

LENS
F - Frosted

PROJECT NAME:	DATE:	TYPE:
SPECIFIER:	PREPARED BY:	
PART NO.:		



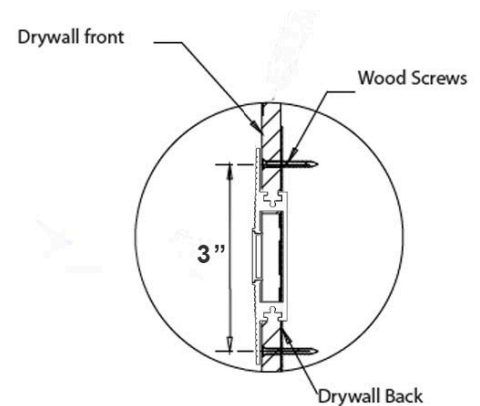
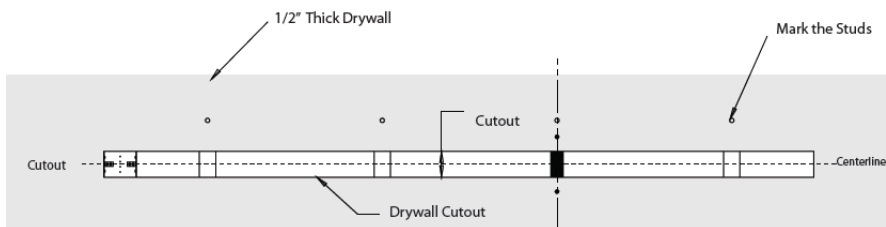
PROFILE CHANNEL SERIES

TBD.E16PW

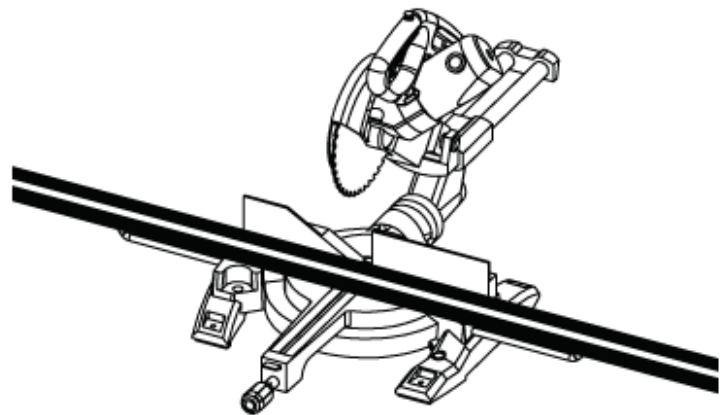
FLANGED PROFILE CHANNEL

INSTALLATION GUIDE

STEP 1: Measure cutout and mark drywall where channel will be mounted.



STEP 2: Cut the channel to the desired length.



STEP 3: Mount / install profile onto drywall. Add construction adhesive behind flange to secure to drywall. Drill and countersink channel flange with screws. Make sure all screw heads are flush with the channel surface. Fixture to be secured every 18" or less.

